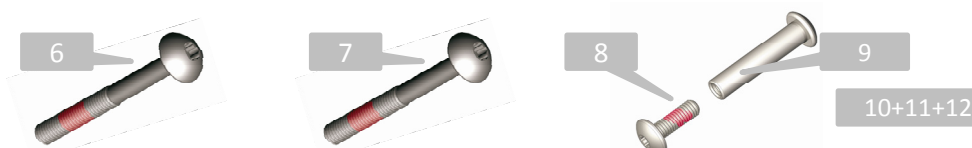


Slat anchor no. 96.968 is incl. one tool per 10 anchors

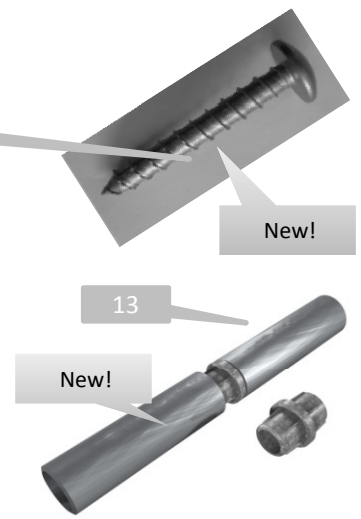


| Slat anchor |          |                                    |               |             |
|-------------|----------|------------------------------------|---------------|-------------|
| Picture     | Item No. | Description                        | Size          | Pcs/Packets |
| 1           | 30.875   | Slat anchor stainless steel        | 100-200 mm    | 150         |
| 2           | 30.871   | Slat anchor stainless steel        | 80-100 mm     | 200         |
| 3           | 30.847   | Slat anchor for plastic flooring   | For 8 mm bolt | 100         |
| 4           | 96.968   | Slat anchor for cast iron flooring | For 8 mm bolt | 10          |
| 5           | 30.878   | Retaining tool                     | -             | -           |

For slat anchor no. 1 and 2 use bolt no. 8 (30.872) - For slat anchor no. 3 og 4 use bolt no. 7 (30.889)



| Bolts, screws and clamps |          |  |             |             |
|--------------------------|----------|--|-------------|-------------|
| Picture                  | Item No. | Description                              | Size        | Pcs/Packets |
| 6                        | 30.889   | Bolt, stainless, torx 50, lock tight     | 8 x 65 mm   | -           |
| 7                        | 30.872   | Bolt, stainless, torx 50, lock tight     | 10 x 90 mm  | 200         |
| 8                        | 67.184   | Bolt, stainless, torx 27, lock tight     | 6 x 18 mm   | 3.000       |
| 9                        | 67.348   | Bolt, stainless, torx 27, insex pipe nut | 8 x 37 mm   | 1.500       |
| 10                       | 67.300   | Self-tapping concrete screw, torx 27     | 6,5 x 50 mm | 100         |
| 11                       | 67.438   | Self-tapping concrete screw, torx 50     | 10 x 60 mm  | 50          |
| 12                       | 67.451   | Self-tapping concrete screw, torx 50     | 10 x 70 mm  | 50          |
| 13                       | 16.389   | Pipe connection 1" galvanized            | -           | -           |



ACCESSORIES – Slat anchors, bolts, screws and clamps