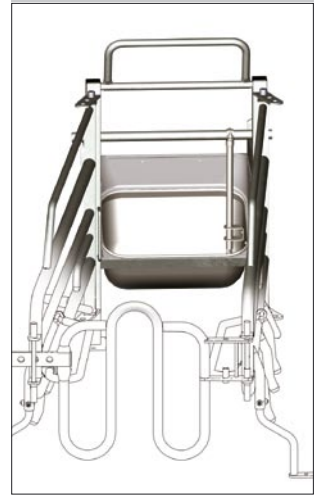


# SOW TROUGH



## examples



### Solid design

- Deep drawn

### Hygienic and preventing injuries

- No edges and blind corners

### Imperishable

- Stainless steel

### Unaffected by even large sows

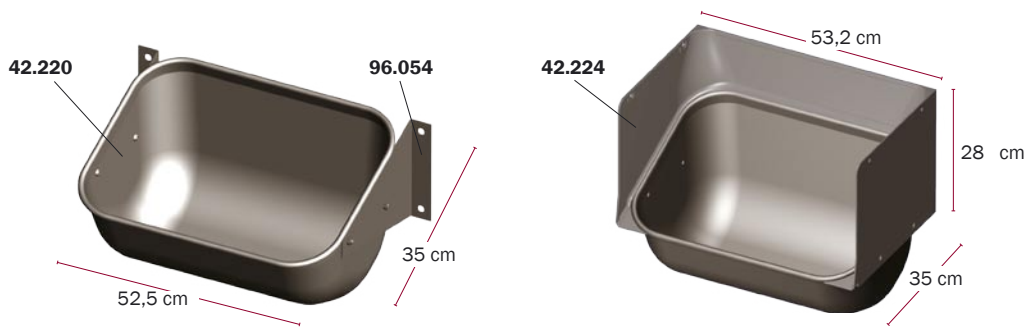
- Sturdy rolled and sealed edges

### No leaking

- No weldings

### Minimum waste

- Available with sealing plastic sides



## FACTS

Volume:	21 litres
Material:	1 mm stainless steel 18/8 quality
Holes:	2 Ø 9 in each side
Weight:	3,6 kg
Number:	25 troughs per 100 cm in height

## SOW TROUGH

No.	Description
42.220	Sow trough, deep drawn in stainless steel.
96.054	Set of brackets for bolting of troughs. Incl. 4 stainless steel bolts for bolting of troughs on bracket. Without bolts for bolting on rear wall.
42.224	Set consisting of rear, right and left side in plastic that are clicked on the trough

