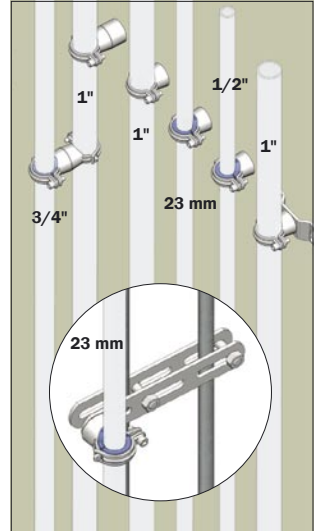


MASTER CLAMP® - water pipe fittings



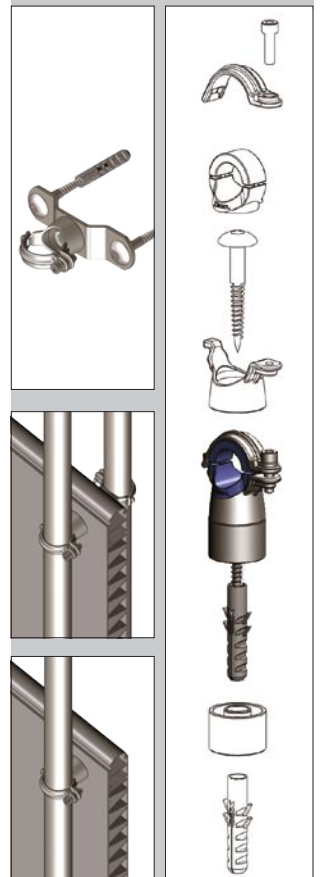
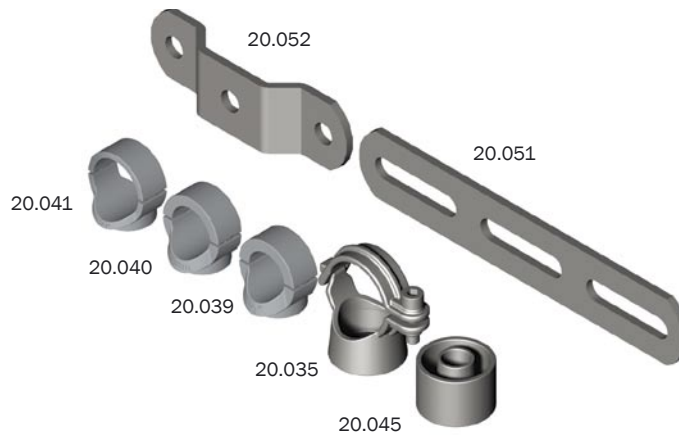
examples



- Durable** • Casted in stainless steel - no welding
- Easy assembly** • The water pipe brackets are assembled with only one screw
- Flexible system** • Indefinite number of combinations and assembly possibilities

MASTER CLAMP® comprises of 1" base bracket which can be provided with a plastic liner for 1/2", 23 mm and 3/4" pipes respectively. The base bracket consists of two halves which can easily be assembled with only one screw.

The spacer can extend the base part so the water pipe can be dislocated up to 40 mm from the wall or the partition.



WATER PIPE FITTINGS

No.	Description
20.035	Master Clamp® bracket, base part and Allen bolt 6 x 20 mm for bolting together.
20.045	Spacer 24 mm
20.041	Plastic liner for 3/4" pipe
20.040	Plastic liner for 1/2" pipe
20.039	Plastic liner for 23 mm pipe (Water pipe for DRIK-O-MAT® and TUBE-O-MAT®)
20.051	Back plate, stainless steel
20.052	Back plate with offset (offset back plate), stainless steel
67.444	INN-O-PLUG® coach screw (torx 50)
68.855	Nylon dowel 12/10 mm

