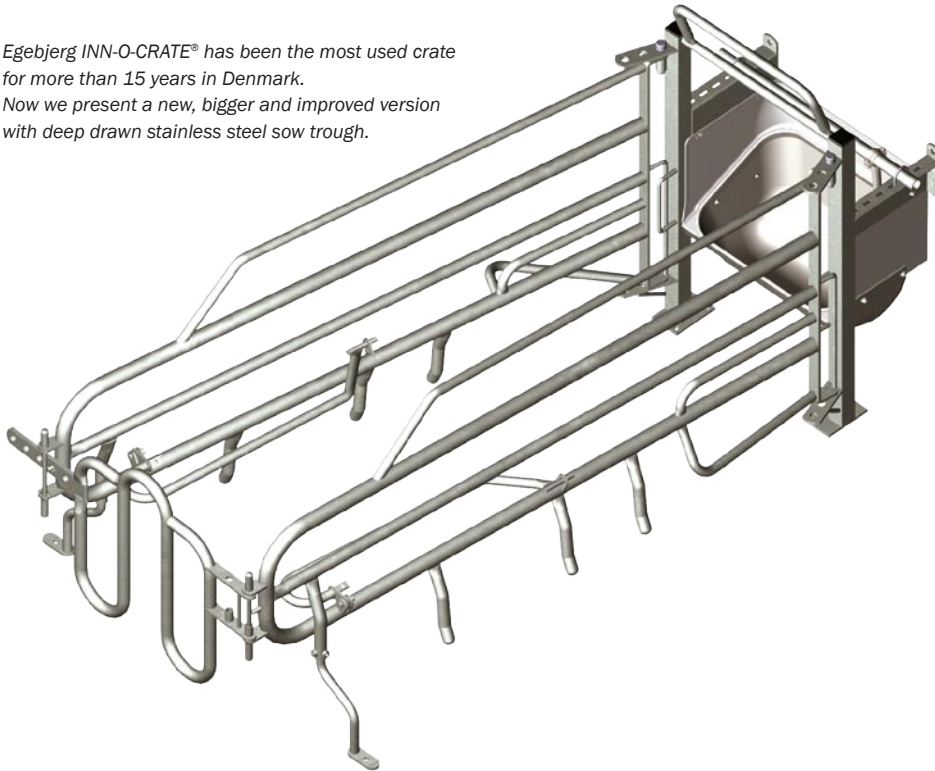


# INN-O-CRATE®

Egebjerg INN-O-CRATE® has been the most used crate for more than 15 years in Denmark. Now we present a new, bigger and improved version with deep drawn stainless steel sow trough.



- |   |  |
|---|--|
| <b>Adjusted to the current requirements</b> | • The farrowing crate XL is adjustable in length as well as width            |
| <b>Safe farrowing and low mortality</b>     | • Rear gate ensures free passage for piglets during farrowing                |
| <b>New unique trough</b>                    | • Stainless steel trough drawn in one piece provides good hygiene            |
| <b>Good working environment</b>             | • The design ensures easy access to the pen                                  |
| <b>Easy cleaning</b>                        | • Plastic panel partitions and stainless steel means less work when cleaning |

## FACTS

Length without trough, internal:	190-201 cm
Width at front, internal:	53-63 cm
Width rear part, internal, multi-adjustable:	57-85 cm
Height crate side:	90 cm
Tower:	50 x 50 x 4 mm
Crate bar:	42.4 x 2.65 mm
Surface:	hot-galvanized
Volume stainless trough:	21 litres
Material stainless trough:	1.0 mm 18/8 quality

## INN-O-CRATE®

No.	Description
G42.100	Farrowing crate with stainless steel sow trough. Tower for mounting on concrete floor
G42.120	Do. for mounting on slats



## examples

