

# DRILL CLAMP



## examples



### Durable

- Casted in stainless steel - no weldings

### Easy assembly

- Assembly
  - 1)  $\varnothing$  of 9.5 mm to be drilled
  - 2) The clamp is tightened easily since the nuts are fixed in inner hexagon

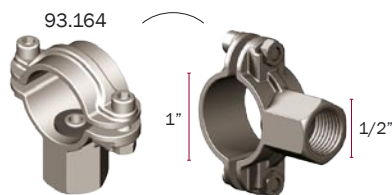
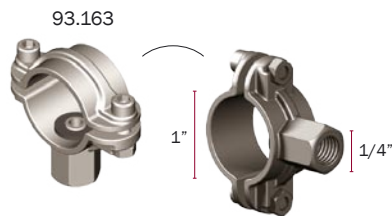
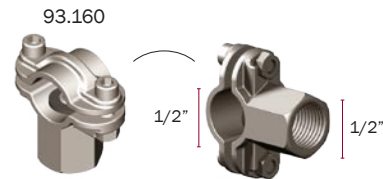
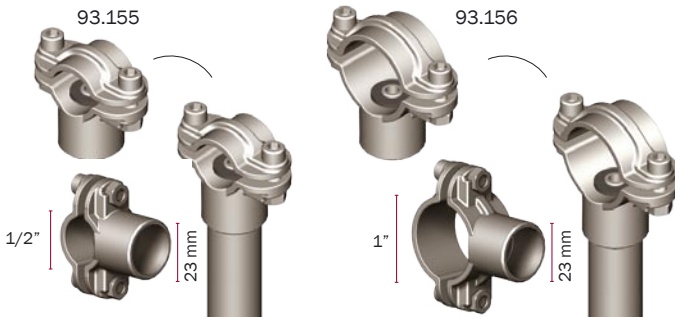
### No leaking

- The clamp cannot rotate due to its welded neck sticking into the water pipe. The seal fits tight

## DRILL CLAMP

Available in different dimensions for 1/2" and 1" pipes with 1/2" and 1/4" connectors.

Furthermore, the pilot clamps are available with a connecting sleeve welded on with an inner diameter of 23 mm. A 23 mm pipe with 1/2" inner thread in any length can be welded on this sleeve. A drill clamp with a pipe welded on can be used for instance for water in the farrowing crate. In that way many assembly expenses are saved.



## DRILL CLAMPS - STAINLESS STEEL

No.	Incl. connection with:	Mounting on:
93.160	1/2" inner thread	1/2" pipe
93.163	1/4" inner thread	1" pipe
93.164	1/2" inner thread	1" pipe
93.155	Plain connection sleeve inner diameter: 23 mm	1/2" pipe
93.156	Plain connection sleeve inner diameter: 23 mm	1" pipe

Delivery in sets including bolts, nuts and gaskets.

